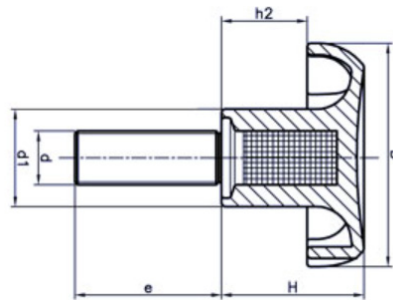


Knobs - Cap - Male

Black or Orange Reinforced Thermoplastic • Treated Threaded Steel Stud

Part Number	D	H	d1	d	e	h2
11-KCPB32S6-20	32	20	13.5	M6	20	11
11-KCPB32S6-30	32	20	13.5	M6	30	11
11-KCPB32S8-27	32	20	13.5	M8	27	11
11-KCPB40S6-15	40	25	17	M6	15	15
11-KCPB40S6-20	40	25	17	M6	20	15
11-KCPB40S6-30	40	25	17	M6	30	15
11-KCPB40S6-40	40	25	17	M6	40	15
11-KCPB40S8-15	40	25	17	M8	15	15
11-KCPB40S8-20	40	25	17	M8	20	15
11-KCPB40S8-33	40	25	17	M8	33	15
11-KCPB40S8-40	40	25	17	M8	40	15
11-KCPB40S8-47	40	25	17	M8	47	15
11-KCPB40S10-20	40	25	17	M10	20	15
11-KCPB40S10-33	40	25	17	M10	33	15
11-KCPB40S10-44	40	25	17	M10	44	15



Knobs - Cap - Female

Black or Orange Thermoplastic • Threaded Female Brass Insert

Part Number	D	H	d1	d	e	h2
11-KCPB32B5	32	20	13	M5	9	11
11-KCPB32B6	32	20	13	M6	10	11
11-KCPB40B6	40	25	17	M6	10	15
11-KCPB40B8	40	25	17	M8	14	15
11-KCPB40B10	40	25	17	M10	17	15

