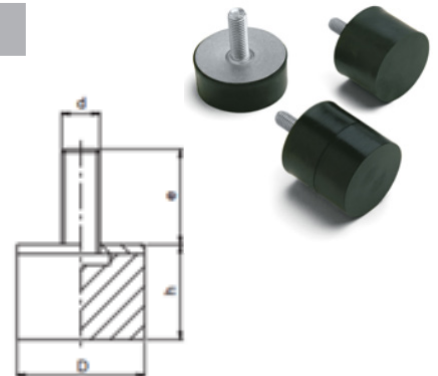


## 4110 - Sealed End Male Antivibration Mount -Stainless Steel

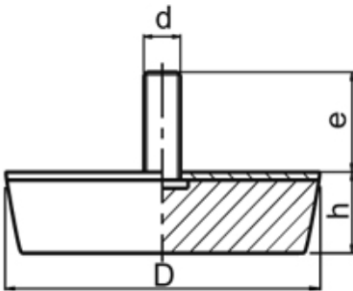
Stainless Steel

Part Number	D	h	d	e	Cp
11-AVMP2015SS6	20	15	M6	14	15
11-AVMP2515SS6CR	25	15	M6		
11-AVMP2510SS8CR	25	10	M8		
11-AVMP2520SS6	25	20	M6	18	45
11-AVMP3030SS8	30	30	M8	20	61
11-AVMP4030SS8	40	30	M8	23	98



## 4113 Square male/pad Anti-Vibration Mount

Part Number	D	h	d	e	Cp
11-AVMPA8080S10	80 x 80	30	M10	27	450
11-AVMPA120120S12	120 x 120	30	M12	36	900



## 4125 Male/Male Concave

Rubber &amp; Zinc plated Steel

Part Number	D	h	d1	d	e	Cp	Cz
11-AVMS1215S4	12	15	7	M4	10	3	0.8
11-AVMS2520S6	25	20	10	M6	18	50	3
11-AVMS3020S8	30	20	20	M8	23	60	10
11-AVMS4030S8	40	30	19	M8	20	80	6
11-AVMS4030S8A	40	30	27	M8	20	100	8

