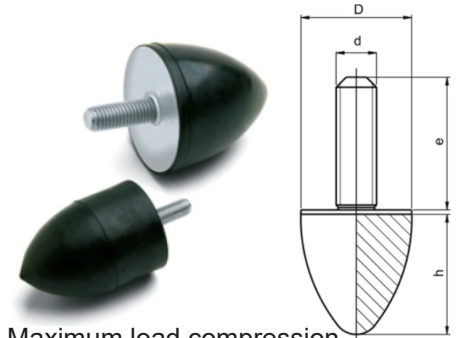


### 4117 - Anti-vibration Mount - Tapered

Rubber SBR 60° / 65° shore A & Zinc plated Steel • Used as shock-absorbers, feet and stroke end

Part Number	D	h	d	e	Cp
11-AVMT2530S6	25	30	M6	18	18
11-AVMT3040S8	30	40	M8		
11-AVMT4050S8	40	50	M8		
11-AVMT5050S10	50	50	M10	28	54
11-AVMT7570S12	75	70	M12	37	117
11-AVMT10085S16	100	85	M16	42	330

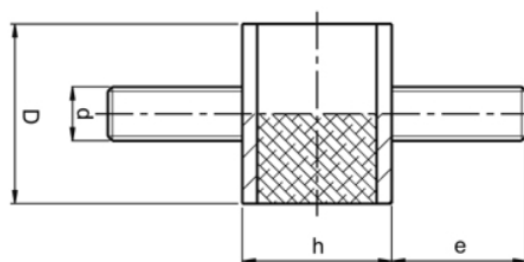


\* Cp Maximum load compression

### 4121 - Male/Male Anti-vibration Mount

Rubber SBR 60° / 65° shore A & Zinc plated Steel • Thermoplastic Body

Part Number	D	h	d	e	Cp	Cz
11-AVMM1210S5	13	10	M5	10	15	2
11-AVMM1515S4	15	15	M4	14	15	2
11-AVMM2010S6	20	10	M6	16	36	3
11-AVMM2015S6	20	15	M6	16	34	4
11-AVMM2020S6	20	20	M6	16	34	2
11-AVMM2520S6	25	20	M6	18	45	5
11-AVMM2530S6	25	30	M6	18	34	3
11-AVMM3015S8	30	15	M8	20		
11-AVMM3020S8	30	20	M8	23	66	9
11-AVMM3030S8	30	30	M8	23	61	7
11-AVMM3040S8	30	40	M8	23	55	5
11-AVMM4030S8	40	30	M8	23	98	15
11-AVMM4035S8	40	35	M8	23	88	13
11-AVMM5020S10	50	20	M10	28	168	21
11-AVMM5030S10	50	30	M10	28	158	19
11-AVMM5040S10	50	40	M10	28	143	17
11-AVMM5050S10	50	50	M10	28	133	13
11-AVMM6550S12	65	50	M12	37	230	23
11-AVMM7525S12	75	25	M12	37	382	89
11-AVMM7540S12	75	40	M12	37	377	79
11-AVMM7550S12	75	50	M12	37	372	69
11-AVMM10050S16	100	50	M16	46	560	99
11-AVMM10055S16	100	55	M16	45	635	79
11-AVMM10060S16	100	60	M16	46	587	49



\* Cp Maximum load compression (kg)

\* Cz Maximum load shear (Kg)

\*\*Available in stainless steel