

Barbed Clips - PRC Series

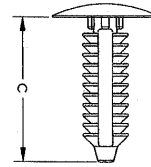
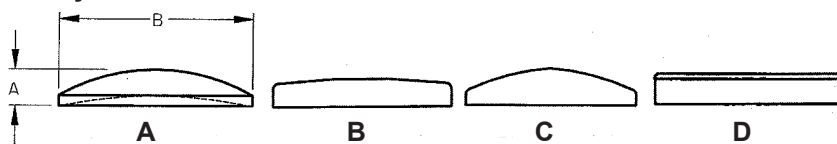
An economical fastener which caters for a wide range of panel thickness and materials

Part Number	Hole Size	Panel Thickness	Head Diameter B	Head Style	Head Height A	Length C
04-PRC513*	4.8	0.6-9.3	9.5	A	1.8	12.7
04-PRC515	4.8	0.8-8.4	11.2	B	1.7	14.3
04-PRC517	4.8	3.2-9.3	11.1	D	1.8	16.3
04-PRC517K	4.8	2.5-15.2	11.7	A	1.0	17.5
04-PRC518P**	4.8	3.2-11.4	7.2	C	1.7	17.8
04-PRC610	6.4	5.1-5.5	18.3	A	2.3	10.8
04-PRC611	6.4	2.7-7.6	17.8	A	2.5	11.1
04-PRC619	6.4	3.8-13.6	12.6	A	1.9	19.9
04-PRC620	6.4	3.8-13.6	17.8	A	2.5	20.3
04-PRC725	7.1	4.3-19.6	17.6	A	2.3	24.8
04-PRC723	7.1	2.4-12.7	15.9	A	2.8	22.6
04-PRC1028BM*	10.0	1.5-20.0	21.8	-	3.5	28.2

Material: Black Nylon 6/6 – UV Resistant except for PRC518P which is black polypropylene

*Available in white **Available in Natural

Headstyles:



Special Barbed Clips - XTS Series

Variety of hole sizes and panel thicknesses • Clips can be used in blind hole applications.

Part Number	Hole Size	Panel Thickness	Head Diameter B	Head Height A	Length C
04-XTS308	3 - 3.3	3.4-6.3	6.4	2.0	7.8
04-XTS511	4.6 - 4.8	0.9-5.3	11.1	1.9	11.1
04-XTS610	6.1 - 6.6	1.9-4.7	15.5	3.0	9.8
04-XTS614	6.35 - 6.48	1.8-10.16	17.8	2.54	13.8
04-XTS620	6.35	3.2-17.4	12.7	1.7	19.9
04-XTS632	6.32	1.3-22.2	19.0	2.8	31.8
04-XTS749	7.14	20.6-40.1	15.1	1.3	49.1
04-XTS817	8.1	3.0-12.7	12.7	1.3	16.6

04-XTS308

04-XTS511

04-XTS610

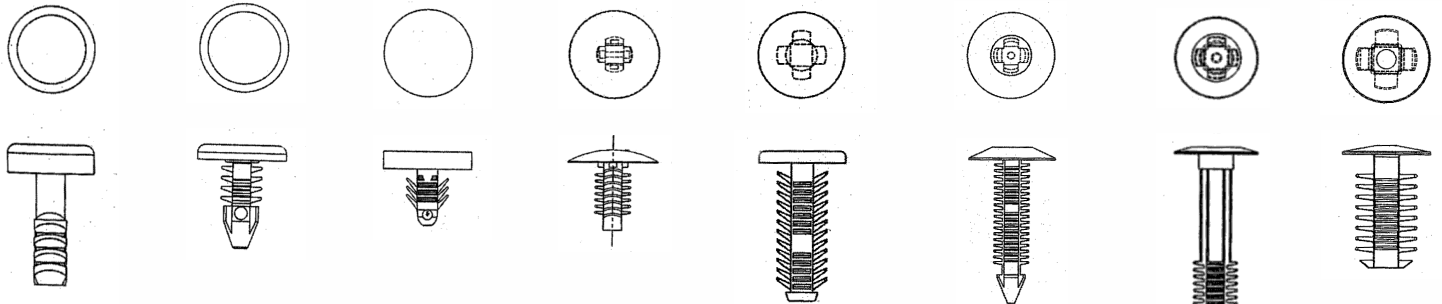
04-XTS614

04-XTS620

04-XTS632

04-XTS749

04-XTS817



Material: Black Nylon 6/6 – UV Resistant

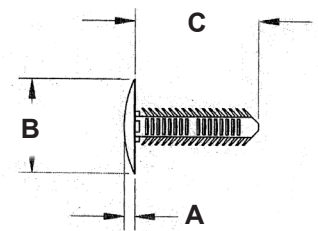
*Available in Natural



Barbed Clips - XT Series

An economical fastener which caters for a wide range of panel thicknesses and materials

Part Number	Hole Size	Panel Thickness	Head Diameter B	Head Height A	Length C
04-XT305	3.2	1.6-3.2	8.7	1.6	5.3
04-XT308	3.2	1.6-6.3	8.7	1.6	8.2
04-XT312	3.2	1.6-9.5	8.7	1.6	11.6
04-XT509	4.8	1.6-6.4	12.7	1.98	8.8
04-XT512	4.8	1.6-9.5	12.7	1.98	12.0
04-XT515	4.8	1.6-12.7	12.7	1.98	15.2
04-XT518	4.8	1.6-15.9	12.7	1.98	18.4
04-XT522	4.8	1.6-19.1	12.7	1.98	21.5
04-XT610	6.4	1.6-6.4	17.8	2.54	9.9
04-XT613	6.4	1.6-9.5	17.8	2.54	12.9
04-XT616	6.4	1.6-12.7	17.8	2.54	16.0
04-XT619	6.4	1.6-15.9	17.8	2.54	19.2
04-XT622	6.4	1.6-19.1	17.8	2.54	22.4
04-XT626	6.4	1.6-22.2	17.8	2.54	25.5
04-XT628	6.4	1.6-25.4	17.8	2.54	28.4
04-XT632	6.4	1.6-31.8	17.8	2.54	35.05
04-XT635	6.4	1.6-31.8	17.8	2.54	35.1
04-XT642	6.4	1.6-38.1	17.8	2.54	41.5
04-XT648	6.4	1.6-44.5	17.8	2.54	47.8
04-XT655	6.4	1.6-50.8	17.8	2.54	54.7
04-XT710	7.1	1.6-6.4	20.0	2.54	9.8
04-XT713	7.1	1.6-9.5	20.0	2.54	13.1
04-XT716	7.1	1.6-12.7	20.0	2.54	16.3
04-XT720	7.1	1.6-15.9	20.0	2.54	19.5
04-XT723	7.1	1.6-19.1	20.0	2.54	22.7
04-XT726	7.1	1.6-22.2	20.0	2.54	25.9
04-XT729	7.1	1.6-25.4	20.0	2.54	29.1
04-XT736	7.1	1.6-31.8	20.0	2.54	35.6
04-XT742V	7.1	1.6-38.1	20.0	2.54	41.9
04-XT748	7.1	1.6-44.5	20.0	2.54	48.3
04-XT810	7.9	1.6-6.4	22.2	2.54	10.4
04-XT813	7.9	1.6-9.5	22.2	2.54	13.4
04-XT820	7.9	1.6-15.9	22.2	2.54	19.9
04-XT823	7.9	1.6-19.1	22.2	2.54	22.7
04-XT826	7.9	1.6-22.2	22.2	2.54	26.3
04-XT830	7.9	1.6-25.4	22.2	2.54	29.5
04-XT836	7.9	1.6-31.8	22.2	2.54	36.0
04-XT842V	7.9	1.6-38.1	22.2	2.54	42.4
04-XT911	9.5	1.6-6.4	25.4	2.54	11.3
04-XT943	9.5	1.6-12.7	25.4	2.54	43.3
04-XT956W*	9.5	1.6-50.8	25.4	2.54	54.15



Material: Black Nylon 6/6 - UV Resistant

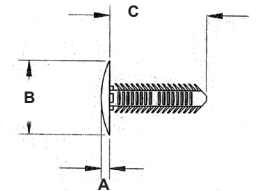
* White

Barbed Clips - XTM Metric Series

Part Number	Hole Size	Panel Thickness	Head Diameter B	Head Height A	Length C
04-XTM408	4.0	1.6-6.0	11.2	2.0	8.3
04-XTM509	5.0	1.6-6.0	14.0	2.0	8.5
04-XTM528	5.0	1.6-26.0	14.0	2.0	28.3
04-XTM609	6.0	1.6-6.0	16.8	2.0	9.3



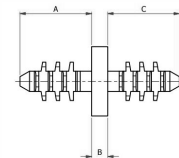
Material: Black Nylon 6/6 – UV Resistant



Double End Barb Clip

Allows two panels to be connected from the centre so no fastener head is visible

Part Number	Hole Size	Panel Range	D	B	A & C
04-PRCD7578BM	7.5	3.0 - 8.0	19	1	17.5



Material: Black Nylon 6/6

Panel Latch

Ideal for inspection panels or door latches • A simple pull is all that's required to close or open the panel

Fast, economical assembly to lock panel in place. Supplied in two parts, the pin is fitted to the grommet through a hole in the opening panel, then the grommet is inserted into the hole in the fixed panel.

Part Number	Hole Diameter		Grommet Length L	Knob Diameter	Knob Style	A Panel Thickness A	Overall Thickness H
	A Panel Dia.	B Panel Dia.					
04-PDL5	4.5	4.8	9.5	6.4	DL-5	1.6	2.0 - 3.6
04-PDL3	6.0 - 6.1	6.3 - 6.5	10.4	8.5	DL-3	1.6	2.0 - 4.2
04-PDL4	6.0 - 6.1	6.3 - 6.5	11.4	8.5	DL-4	2.5	3.0 - 5.2
04-PDL11	7.5	8.0	10.5	15.7	DL-11	1.6	2.0 - 4.2
04-PDL2	7.5	8.0	11.1	15.8	DL-2	1.6	2.0 - 4.2

Material: Black Nylon 6/6

